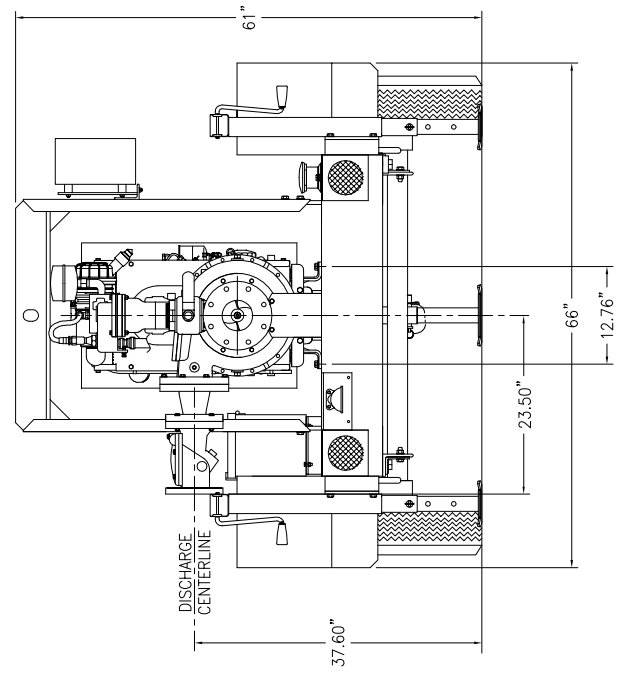
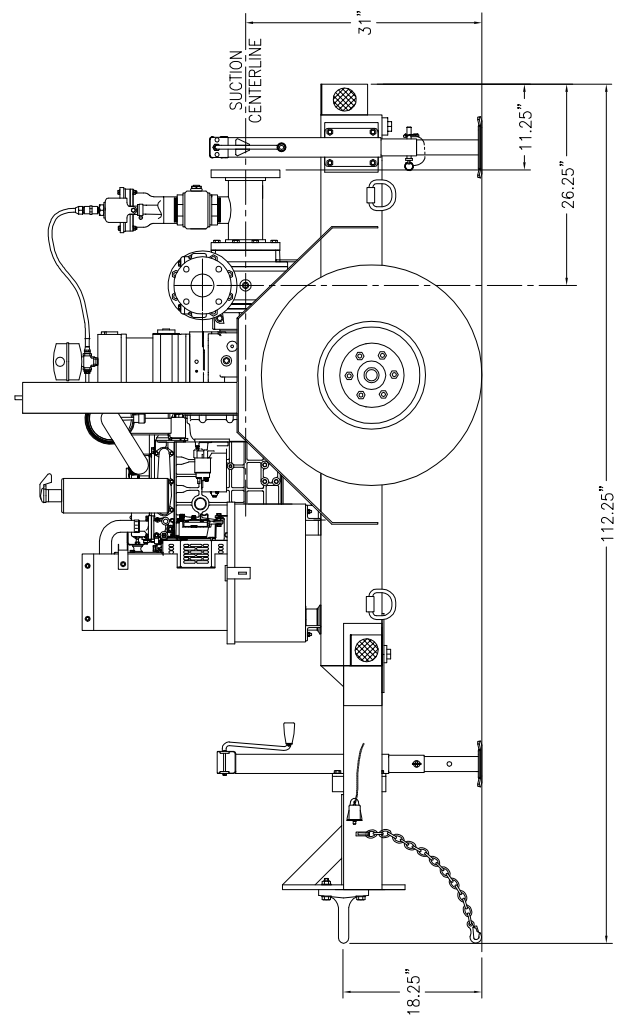


REV. NO.	DESCRIPTION	PREVIOUS DWG.	BY	DATE

SUCTION FLANGE IS 4" - 150LB.
DISCHARGE FLANGE IS 3" - 150LB.
SHIPPING WEIGHT - XXXXLB. (EMPTY FUEL TANK WEIGHT)
FUEL TANK CAPACITY - 40 GALLONS



REAR VIEW



SIDE VIEW

DATE:	11/14/06
SCALE:	NTS
DESIGNED:	
CHECKED:	
DRAWN:	RAR

ALL INFORMATION CONTAINED IN OR REFERRED TO BY THIS DOCUMENT IS CONSIDERED CONFIDENTIAL AND PROPRIETARY TO POWER PRIME PUMPS. ALL DISCLOSURES OF DESIGN INFORMATION AND REPRODUCTION OF THIS DOCUMENT AND ALL SALES RIGHTS ARE EXCLUSIVELY RESERVED BY AND TO POWER PRIME PUMPS AND CONSTRUCTION OF THIS INFORMATION IN OTHERS IS PROHIBITED WITHOUT THE WRITTEN CONSENT OF POWER PRIME PUMPS.

POWER PRIME PUMPS
3404 State Road, PO Box 2248
Bakersfield, CA 93302

CONCEPTUAL DRAWING
INDUSTRIAL PUMP

DV-80C
GP-40/PERKINS 403C-15

1	9/1
306102	3061102