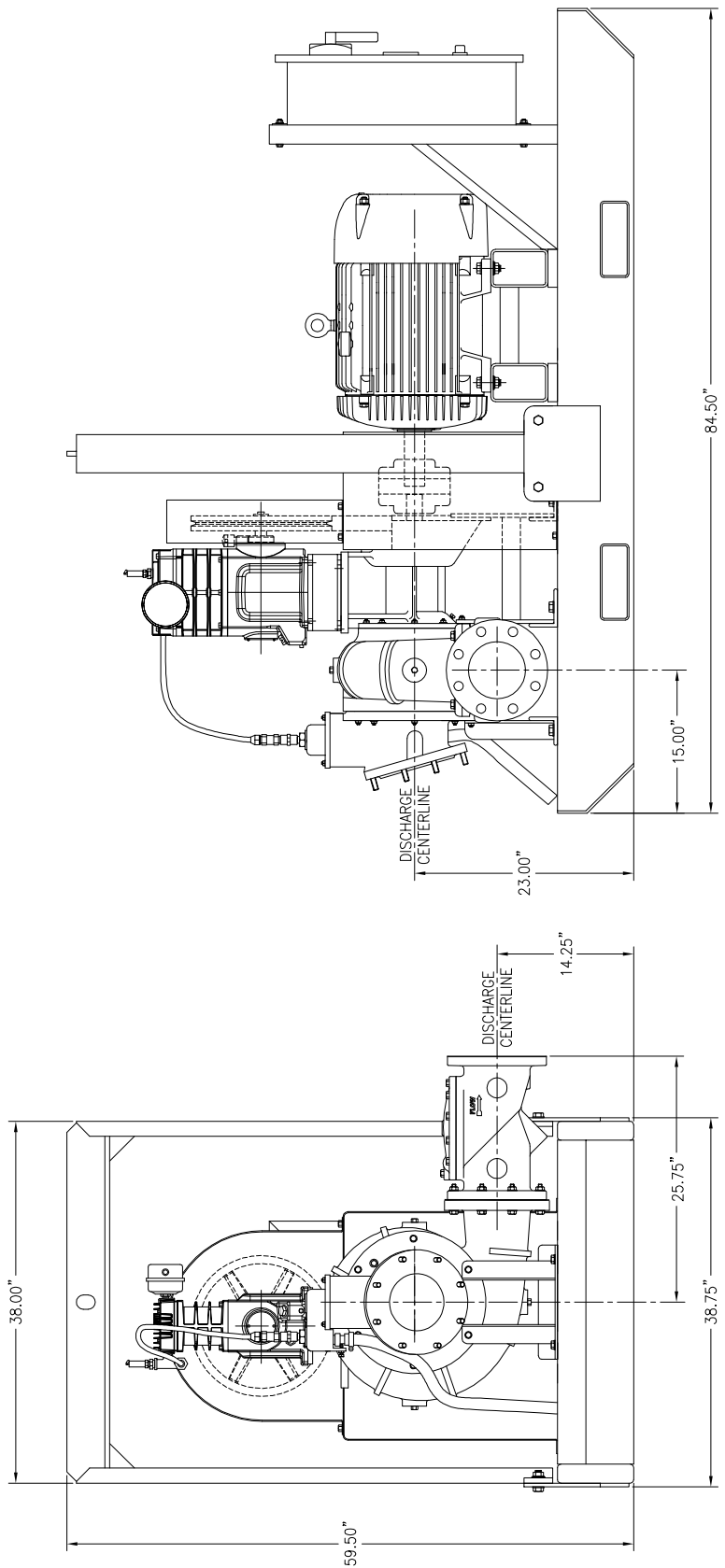


REV. NO.	DESCRIPTION	PREVIOUS DWG	BY	DATE

SUCTION FLANGE IS 6" - 150LB.  
DISCHARGE FLANGE IS 6" - 150LB.  
ASSEMBLY WEIGHT: 2160LB.



SIDE VIEW

END VIEW

DATE:	7/5/06
SCALE:	NTS
DESIGNED:	
CHECKED:	
DRAWN:	RAR

ALL INFORMATION CONTAINED IN OR EXCLUDED BY THIS DOCUMENT IS CONSIDERED CONFIDENTIAL AND PROPRIETARY TO POWER PRIME PUMPS. ALL DISCLOSURES OF DESIGN INFORMATION AND REPRODUCTION OF THIS DOCUMENT AND ALL SALES RIGHTS ARE EXCLUSIVELY RESERVED BY AND TO POWER PRIME PUMPS AND COMMERCIALIZATION OF THIS INFORMATION TO OTHERS IS PROHIBITED WITHOUT THE PRIOR WRITTEN CONSENT OF POWER PRIME PUMPS.

**POWER PRIME PUMPS**  
3404 State Road, PO Box 2248  
Bakersfield, CA 93303

INDUSTRIAL PUMP / GALVANIZED SKID  
CONCEPTUAL DRAWING

**DV-150i ELECTRIC  
OPEN SKID/50HP MOTOR**

1	1
306084	3060701