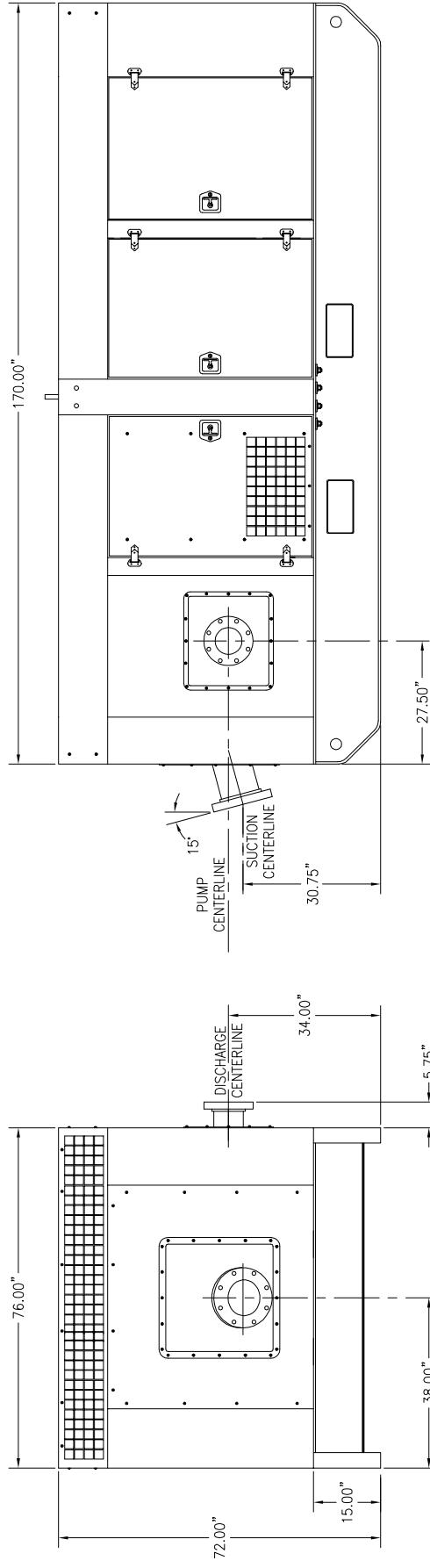


REV. NO.	DESCRIPTION	PREVIOUS DWG.	BY	DATE

SUCTION = 8" - 150LB. FLANGE  
DISCHARGE = 6" 150LB. FLANGE  
SHIPPING WEIGHT - 14,800LBS. (EMPTY FUEL TANK WEIGHT)  
FUEL TANK CAPACITY = 250 GALLONS



DATE:	12/19/06
SCALE:	NTS
DESIGNED:	
CHECKED:	
DRAWN:	RAR

ALL INFORMATION CONTAINED IN OR  
DISCLOSED BY THIS DOCUMENT IS  
CONSIDERED CONFIDENTIAL AND  
PROPERTY OF POWER PRIME PUMPS.  
ALL DISCLOSURES OF DESIGN INFORMATION  
AND REPRODUCTION OF THIS DOCUMENT  
AND ALL SALES RIGHTS ARE EXCLUSIVELY  
RESERVED BY AND TO POWER PRIME  
PUMPS AND COMMUNICATION OF THIS  
INFORMATION TO OTHERS IS PROHIBITED  
WITHOUT THE PRIOR WRITTEN CONSENT OF  
POWER PRIME PUMPS.

**POWER PRIME PUMPS**  
3404 State Road, PO Box 2248  
Bakersfield, CA 93302

CONCEPTUAL DRAWING  
INDUSTRIAL PUMP

**SA-HH-150**  
**SKID WITH CATERPILLAR 3126B**

SHEET NO.	D
DRAWING NUMBER	306113
JOB NUMBER	3061202