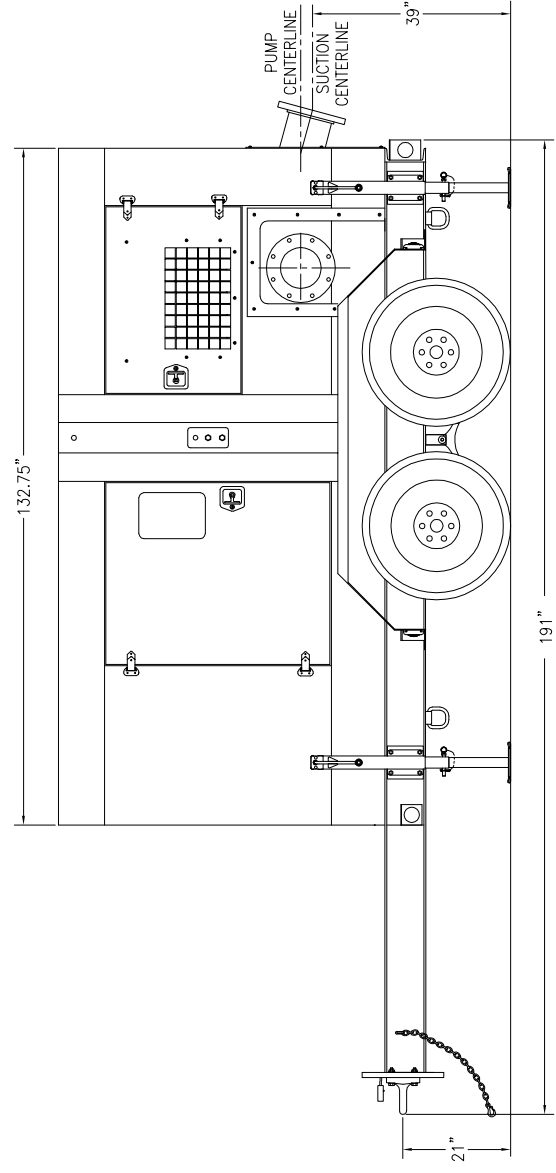
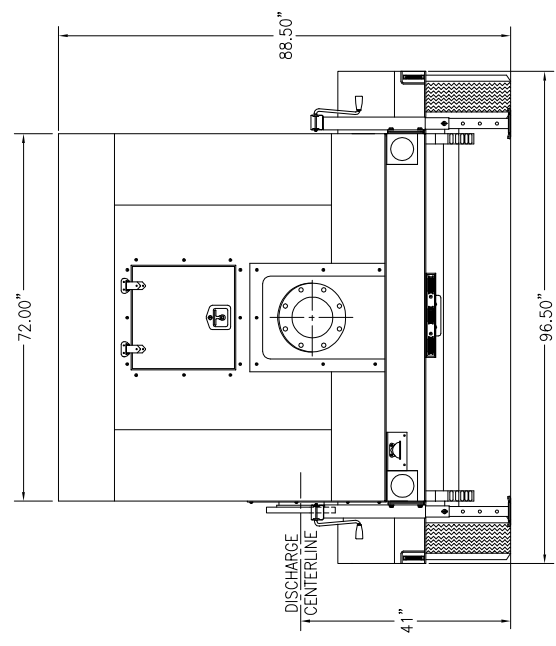


REV. NO.	DESCRIPTION	PREVIOUS DWG.	BY	DATE

SUCTION = 8" - 150 LB. FLANGE
DISCHARGE = 8" - 150 LB. FLANGE
SHIPPING WEIGHT = 8900 LBS. (EMPTY FUEL TANK WEIGHT)
FUEL TANK CAPACITY = 225 GALLONS



SIDE VIEW



END VIEW

DATE:	1/8/07
SCALE:	NTS
DESIGNED:	
CHECKED:	
DRAWN:	RAR
SHEET NO.	D

ALL INFORMATION CONTAINED IN OR REFERENCED BY THIS DOCUMENT IS CONSIDERED CONFIDENTIAL AND PROPRIETARY TO POWER PRIME PUMPS. ALL DISCLOSURES OF DESIGN INFORMATION AND REPRODUCTION OF THIS DOCUMENT AND ALL SALES RIGHTS ARE EXCLUSIVELY RESERVED BY AND TO POWER PRIME PUMPS AND CONSTRUCTION OF THIS INFORMATION TO OTHERS IS PROHIBITED WITHOUT THE PRIOR WRITTEN CONSENT OF POWER PRIME PUMPS.

POWER PRIME PUMPS
3404 State Road, P.O. Box 2248
Bakersfield, CA 93302

CONCEPTUAL DRAWING
INDUSTRIAL PUMP

**SA-DV-200TRAILER MOUNT
PERKINS 1106C-E60TA**

1	SHEET 1
307002	DRAWING NUMBER
3070102	JOB NUMBER