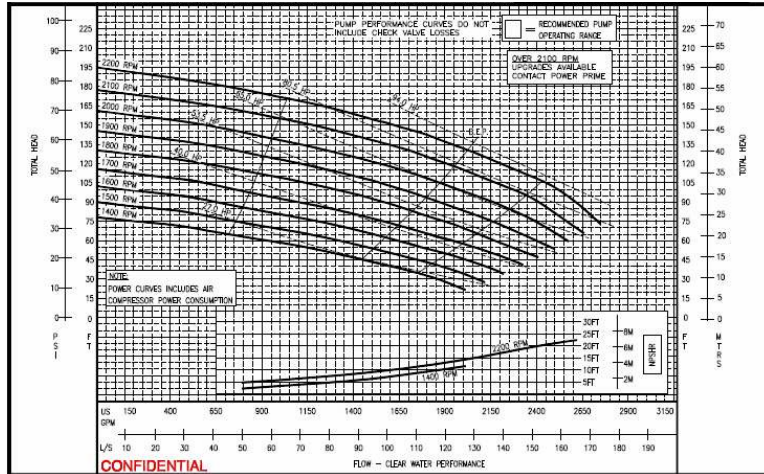


## SA-DV150i Technical Specifications Production Curve



## Performance Specs

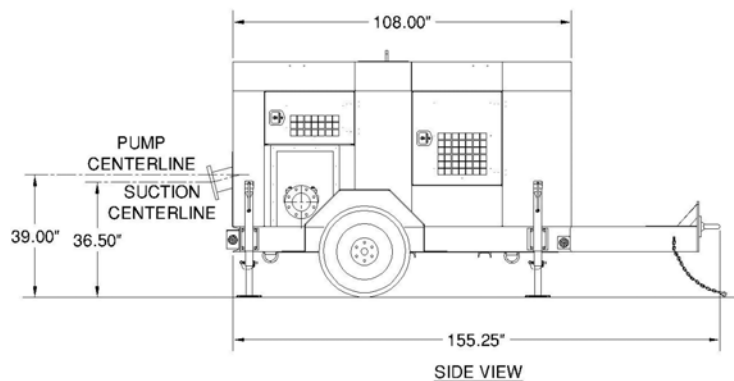
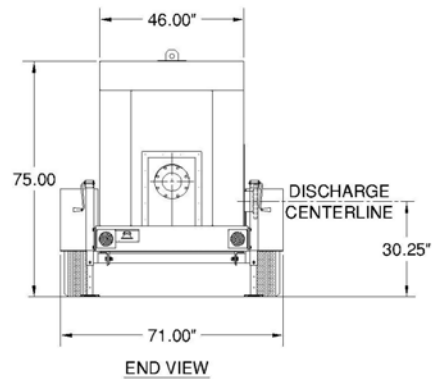
### STANDARD 2 VANE IMPELLER

Minimum Operating Speed:	1400 rpm
Maximum Operating Speed:	2200 rpm
Maximum Head:	195 ft.
Maximum Flow:	2750 gpm

## Design Details

Pump Designation:	SA-DV150i
Pump Description:	Centrifugal end suction pump, single stage, volute type, fully open impeller
Noise Level:	as low as 72 dB(A) at 7m (23ft).
Solid Handling Size:	Up to 3.0 inches (77mm)
Operating Temperature:	MIN: -4°F (-20°C) MAX: +212°F (+100°C)

## Dimensions



### POWER PRIME™ PUMPS

P.O. Box 2248  
Bakersfield CA 93303  
800 647-7246  
661-399-9058  
FAX 661•399-3374  
www.powerprime.com  
sales @ powerprime.com

Power Prime™ is a registered trademark of Western Oilfields Supply Company. Features and Specifications are subject to change without notice.