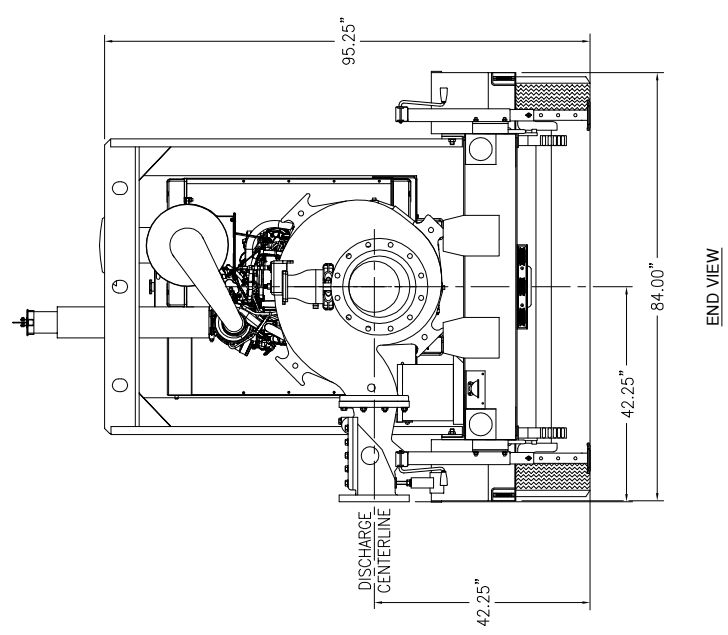
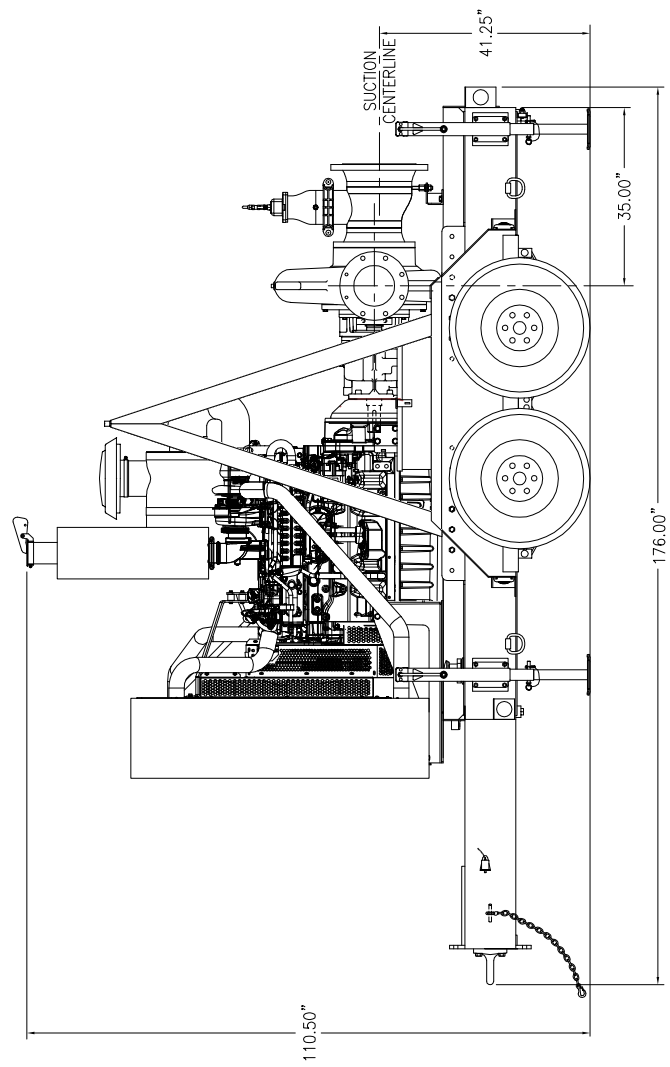


REV. NO.	DESCRIPTION	BY	DATE

SUCTION FLANGE IS 12" - 150LB.  
DISCHARGE FLANGE IS 8" - 150LB.  
SHIPPING WEIGHT = 8100LB. (EMPTY FUEL TANK WEIGHT)  
FUEL TANK CAPACITY = 250 GALLONS



END VIEW



SIDE VIEW

DATE:	3/29/07
SCALE:	NTS
DESIGNER:	
CHECKED:	
DRAWN:	RAR

ALL INFORMATION CONTAINED IN OR REFERENCED BY THIS DOCUMENT IS CONSIDERED CONFIDENTIAL AND PROPRIETARY TO POWER PRIME PUMPS. ALL DISCLOSURES OF DESIGN INFORMATION AND REPRODUCTION OF THIS DOCUMENT AND ALL SALES RIGHTS ARE EXCLUSIVELY RESERVED BY AND TO POWER PRIME PUMPS AND CONSENTATION OF THIS INFORMATION TO OTHERS IS PROHIBITED WITHOUT THE WRITTEN CONSENT OF POWER PRIME PUMPS.

**POWER PRIME PUMPS**  
3404 State Road, PO Box 2248  
Bakersfield, CA 93302

CONCEPTUAL DRAWING  
INDUSTRIAL PUMP

HH-225C  
GP-250M JOHN DEERE 6090HF895

1	SHEET 1
307033	DRAWING NUMBER
3070313	JOB NUMBER