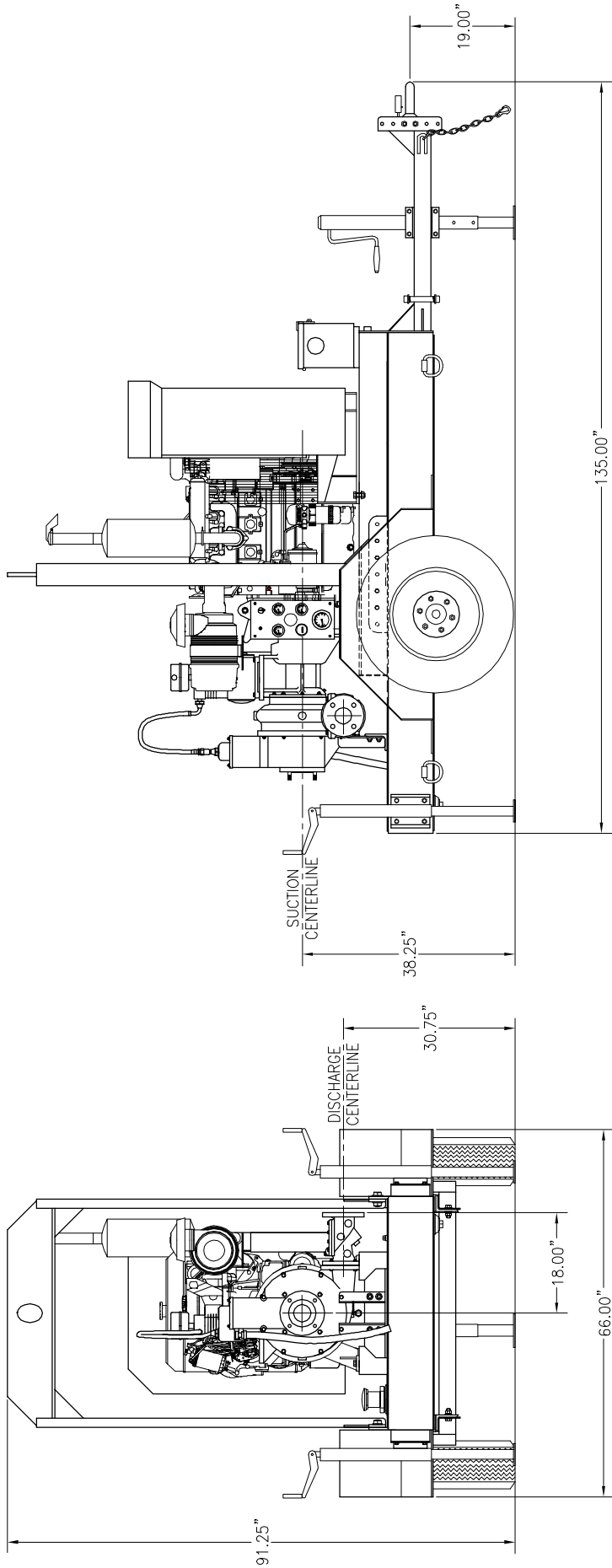


REV. NO.	DESCRIPTION	PRECEDING DWG.	BY	DATE
1	CHANGED TITLE BLOCK AND FILE NUMBER	980603P	RAR	03/02/04

SUCTION = 3" - 150LB. FLANGE
DISCHARGE = 3" 150LB. FLANGE
SHIPPING WEIGHT 3400LB. (EMPTY FUEL TANK WEIGHT)
FUEL TANK CAPACITY = 120 GALLONS



SIDE VIEW

REAR VIEW

DATE:	09/09/98
SCALE:	NTS
DESIGNER:	
CHECKED:	
DRAWN:	RAR

ALL INFORMATION CONTAINED IN OR
DEVELOPED BY THE DRAWING IS
CONSIDERED CONFIDENTIAL AND
PROPERTY OF POWER PRIME PUMPS.
ALL REPRODUCTIONS OF THIS INFORMATION
AND ALL SALES RIGHTS ARE EXCLUSIVELY
RESERVED BY AND TO POWER PRIME
PUMPS AND CONSENTATION OF THIS
INFORMATION TO OTHERS IS PROHIBITED
WITHOUT THE PRIOR WRITTEN CONSENT OF
POWER PRIME PUMPS.

POWER PRIME PUMPS
3404 State Road, PO Box 2248
Bakersfield, CA 93302

CONCEPTUAL DRAWING
INDUSTRIAL PUMP

HH-80
GP-120/PERKINS 1004C.44

1	SHEET 1
304060	DRAWING NUMBER
3031217	JOB NUMBER